

LED FLOOD LIGHTS

Slim Series

FL-06-G7

140lm/W



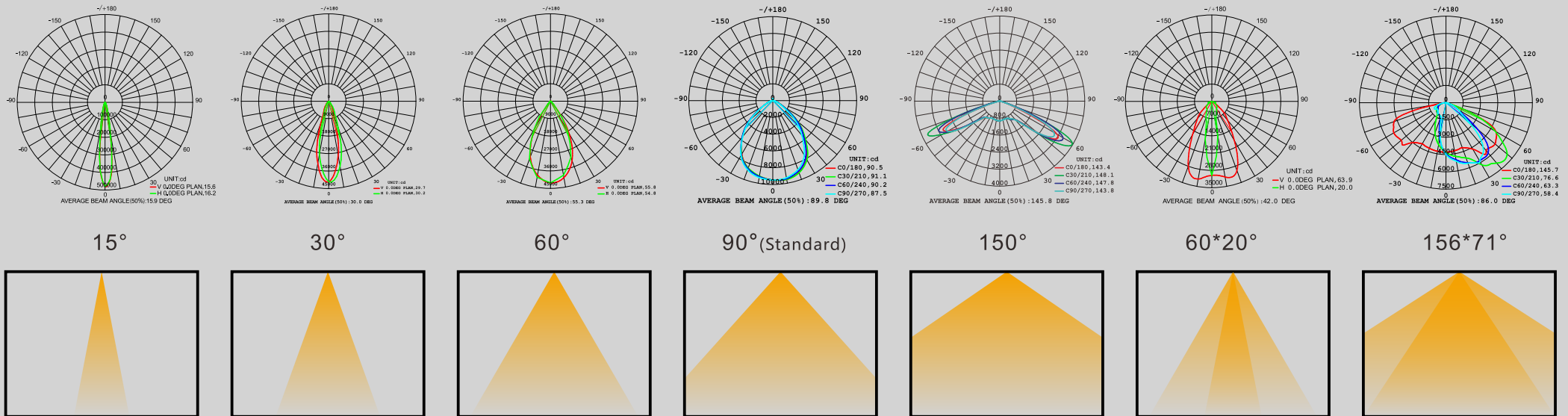
GERIC HOLDINGS (Pty) Ltd



Specification

Item	Power	Effi.	Leds	CRI	Weight	Beam Angle
FL10W	10W	140lm/W	Lumileds	>80	0.85kg(1.87lbs)	15°/30°/60°/90°/150°/60*20°/156*71°
FL20W	20W	140lm/W	Lumileds	>80	0.85kg(1.87lbs)	15°/30°/60°/90°/150°/60*20°/156*71°
FL30W	30W	140lm/W	Lumileds	>80	0.85kg(1.87lbs)	15°/30°/60°/90°/150°/60*20°/156*71°
FL50W	50W	140lm/W	Lumileds	>80	1.52kg(3.35lbs)	15°/30°/60°/90°/150°/60*20°/156*71°
FL80W	80W	140lm/W	Lumileds	>80	1.52kg(3.35lbs)	15°/30°/60°/90°/150°/60*20°/156*71°
FL100W	100W	140lm/W	Lumileds	>80	3.70kg(8.16lbs)	15°/30°/60°/90°/150°/60*20°/156*71°
FL150W	150W	140lm/W	Lumileds	>80	3.70kg(8.16lbs)	15°/30°/60°/90°/150°/60*20°/156*71°
FL200W	200W	140lm/W	Lumileds	>80	4.82kg(10.6lbs)	15°/30°/60°/90°/150°/60*20°/156*71°
FL240W	240W	140lm/W	Lumileds	>80	4.82kg(10.6lbs)	15°/30°/60°/90°/150°/60*20°/156*71°
FL300W	300W	140lm/W	Lumileds	>80	10.4kg(22.9lbs)	15°/30°/60°/90°/150°/60*20°/156*71°
FL400W	400W	140lm/W	Lumileds	>80	10.4kg(22.9lbs)	15°/30°/60°/90°/150°/60*20°/156*71°

Photometry



Model Options



10W/20W/30W



50W/80W



100W/150W

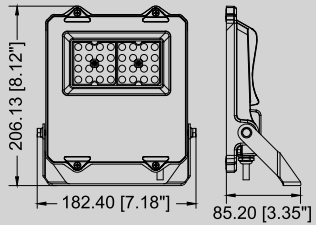


200W/240W

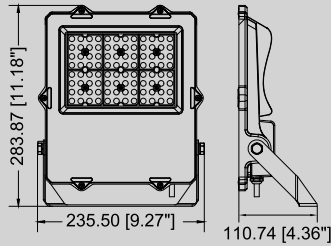


300W/400W

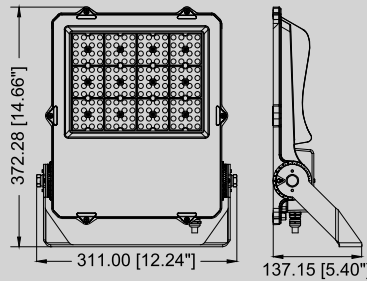
Dimensions(mm)



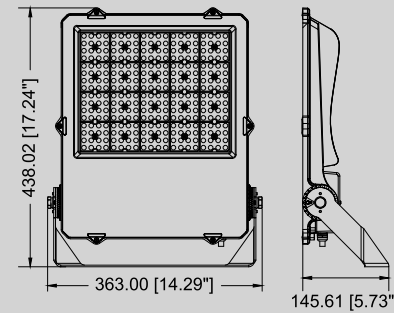
10W/20W/30W



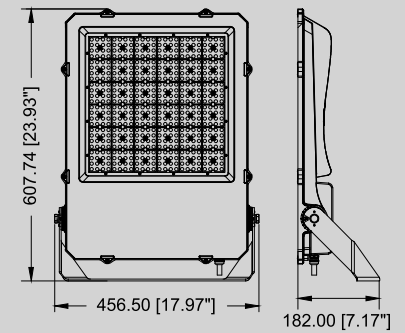
50W/80W



100W/150W



200W/240W



300W/400W

Features

Stainless Clip

4mm Tempered Glass

>95% High Transmittance PC lens

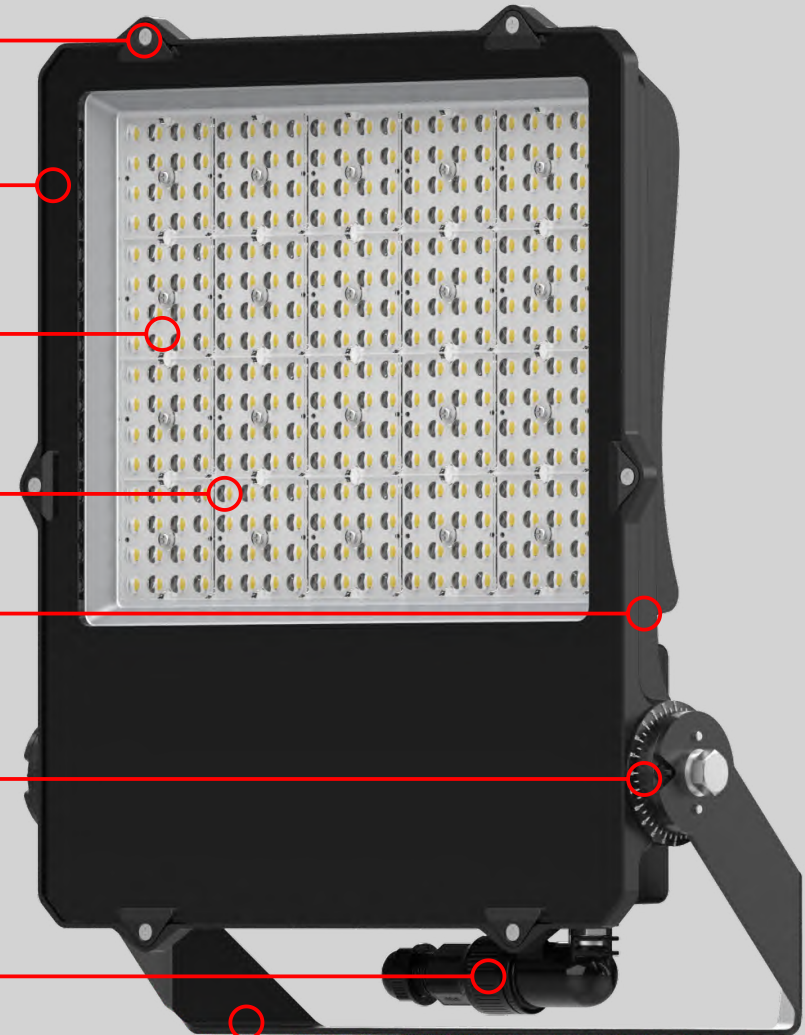
High efficiency and Energy saving Leds

ADC12 Die-casting Aluminum Alloy Housing

Accurate calibration

Waterproof Quick Connector

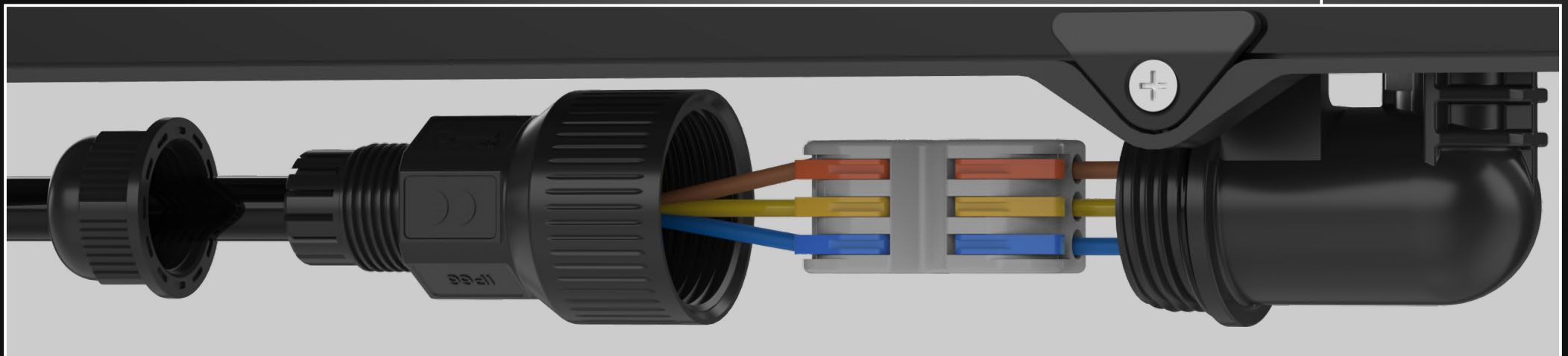
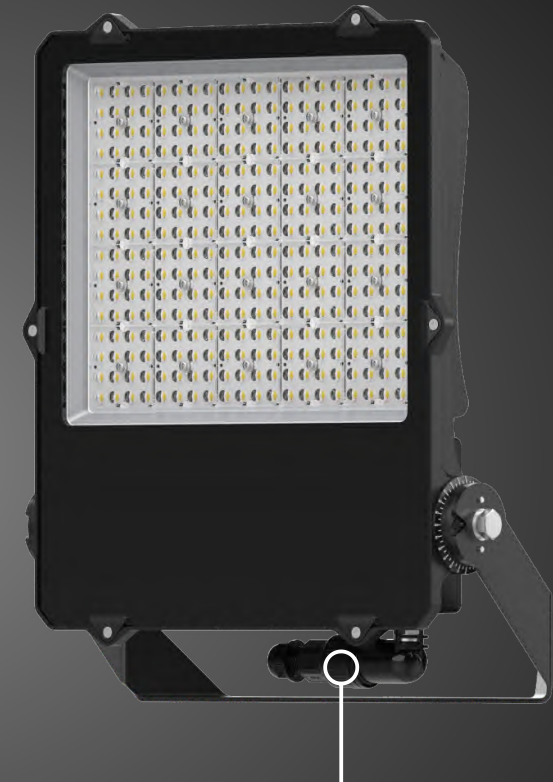
SPCC Bracket



Waterproof Quick Connector (optional)

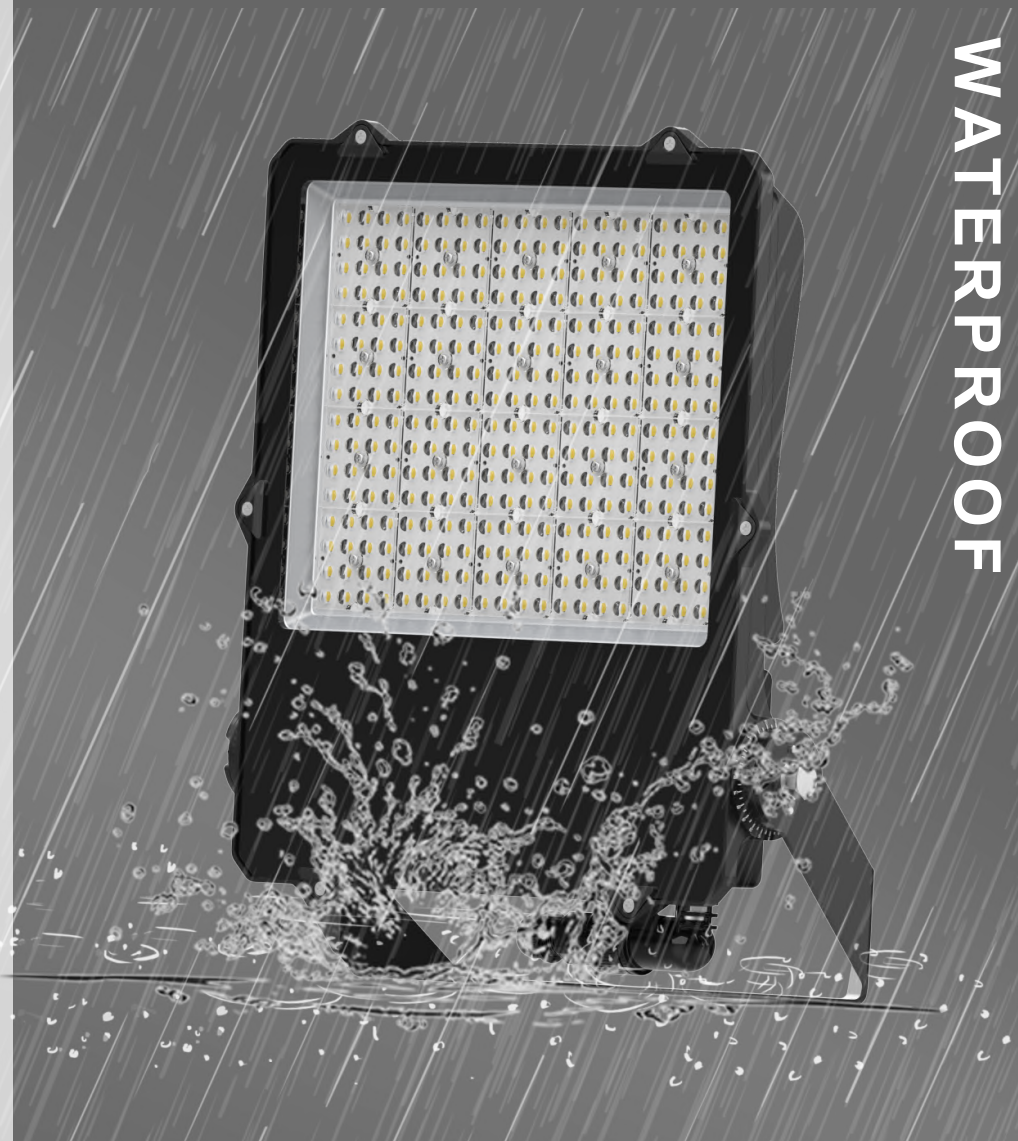


1. With this option, Fixture will come with IP66 Connector Ready, Just connect mains wire through and tighten.
2. Tool-less entry, easy and fast operation.
3. Inside Terminal with marked color of +/-GND, avoid false wiring.



Waterproof

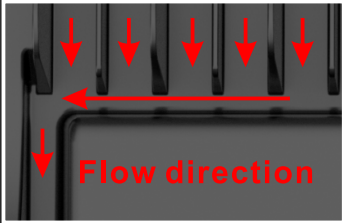
- ▶ Outdoor powder Paint,High rate corrosion resistance, suitable for harsh outdoor environment;
- ▶ With high purity Aluminum ADC12 die-casting ,it have high waterproof level and quality anti-corrosive ;
- ▶ Quality Waterproof Rubber;



IP66 WATERPROOF

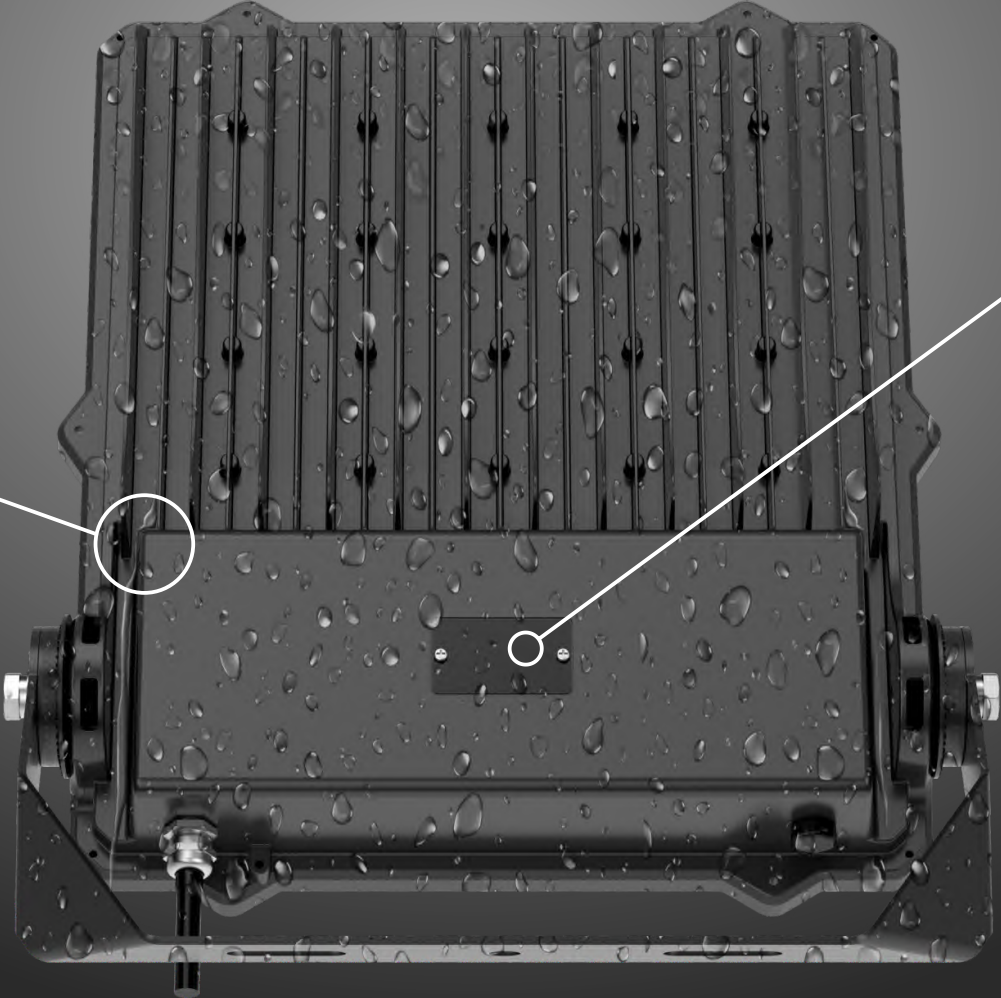
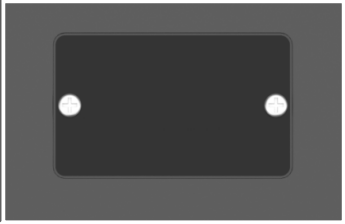
Heatsink Running Waterproof Design

Running water
fast & clean



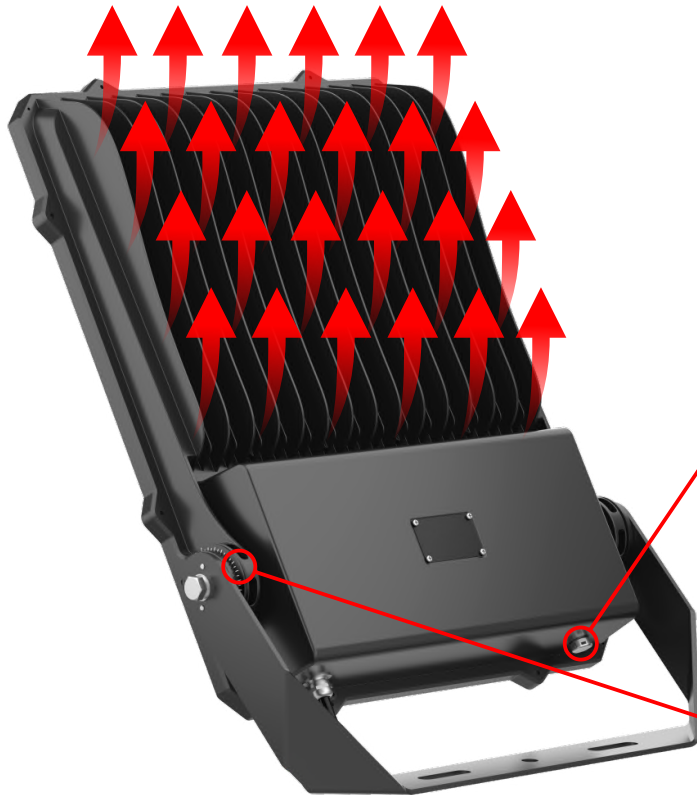
Running water fast & clean,
Helps to Extend Life

Customized
Logo(Options)



Perfect heatsink

- ▶ Perfect heat dissipation , die-casting aluminum body;
- ▶ Air convection design for high heat conductivity and quickly heat dissipation;
- ▶ Simple , High-end Patent Design.

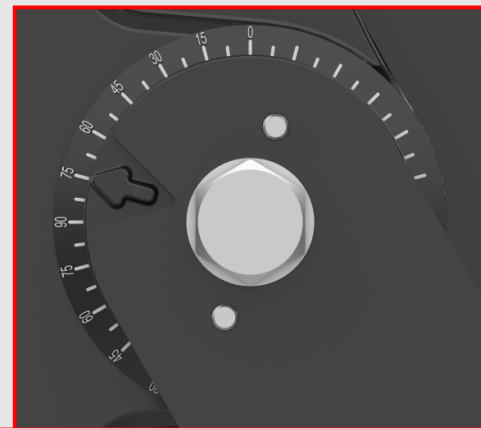


The breather function



- ▶ Maintains the pressure balance between the inside and outside;
- ▶ Eliminates fog, avoids condensation;
- ▶ Waterproof and dustproof protect;
- ▶ Less pressure inside the lamp to improve the use of LED lamp's life

Accurate calibration



Accurate Beam angle marking , make installation conveniently.

Examination from strict QC technicians, engineers and customer service staff to ensure good quality.

Quality System

Quality Control Flowing Chart

