



Item#: **100W**  
5th Version LED HIGHBAY



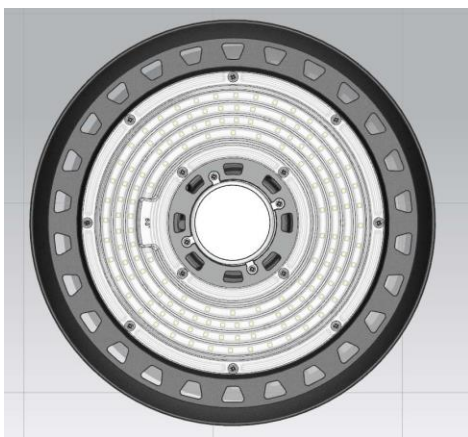
Item#: **UFO High Bay Light**  
5th Version LED HIGH BAY  
HIGH-BAY LUMINAIRES FOR COMMERCIAL  
AND INDUSTRIAL BUILDINGS

**FEATURES**

- Die cast aluminum for better heat dissipation.
- Dust proof and anti-corrosive.
- Elegant design.
- High efficiency Lifud driver.

**APPLICATION**

Ideal for retrofitting inefficient fixtures in malls, hospitals, airports, offices, lobbies and other residential and commercial applications.



**ELECTRICAL**

Wattage	100W
Voltage	100-277V
Power Factor	0.95
Total Harmonic Distortion (THD)	11.8

**LIGHTING PERFORMANCE**

UGR	<20
Lumens Per Watt (Lm/W)	SMD2835 180LM/W
Color Temperature (CCT)	6500K
Color Rendering (CRI)	80
R9 (Red Value)	14
R13 (Skin Tones)	85
Beam Angle	120°
Light Distribution	Type V

**ENVIRONMENT**

Operating Temperature	-40-55C/-22°~ 122°F
Suitable Location	<b>WET</b>
Ingress Protection Rating	IP65

**LIFESPAN**

Average Life (Hours)	50,000
Warranty (Years)	<b>3</b>

**COMPONENTS**

LED Light Source	Philips Luxeon 3030
Driver	Lifud

**CONSTRUCTIONS**

Housing	Aluminum
Lens	Optical Lens
Base/Power Supply	Hard Wired
Finish	Black

**CERTIFICATIONS**



# Item#: 100W

## 5th Version LED HIGHBAY

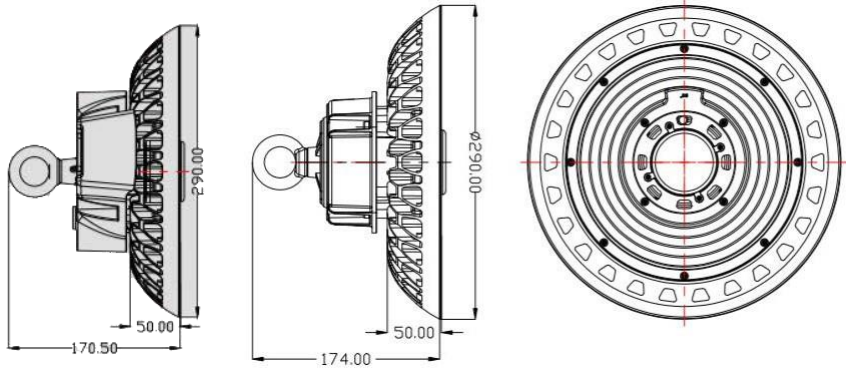
### DIMENSIONS (mm)

Width/Diameter	290
Height	174
Weight (kg)	3.5

Line drawings may not be to scale and are for general reference only.

### SUPPORTING DOCUMENTS

Product Sheet
Install Instructions
IES Download from Web Item
LM79
LM80



### PACKAGING

		DIMENSIONS (LxWxH)	GROSS WEIGHT (KG)
Master Carton	1	360x 360x 165mm	3.5
		20GP: 1350pcs	
		40HQ: 3600pcs	

PACKAGING

### views



01



02



03



04



The highest quality Roll-down  
and Energy Saving products