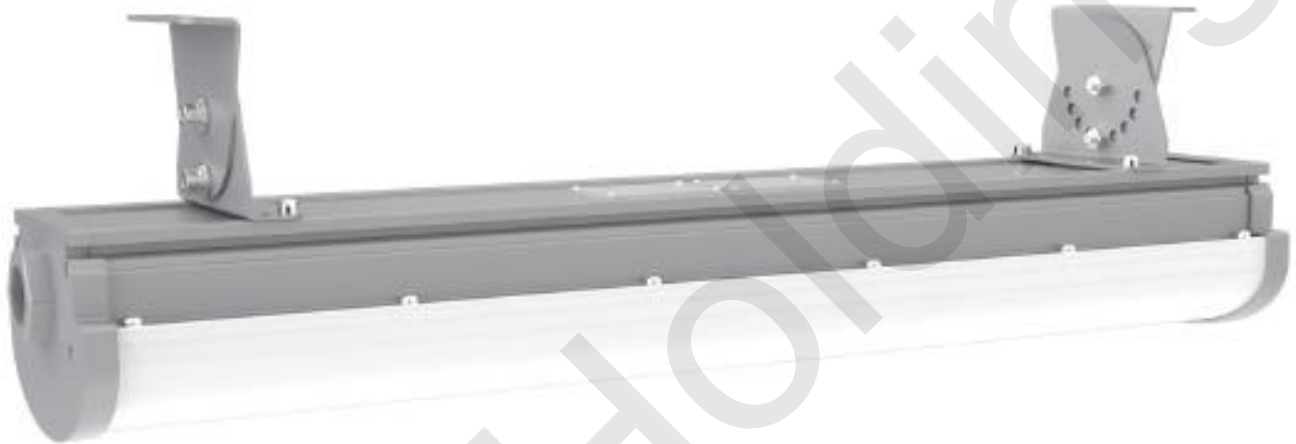


## Geric Holdings 40/60/80/100W Explosion Proof LED Lights

### EXPLOSION PROOF LED LINEAR LUMINAIRES

#### Product description

The EX-WH-F-120 Series Explosion Proof LED Lights are ATEX IECEx Zone 1 and 21 explosion proof fixtures that replaces the traditional explosion proof fluorescent and triple proof explosion lamps. These high lumens, low power energy saving lights are enclosed in high strength aluminium and is shock and vibration resistant. Its high transparent PC cover reduces direct visual contact with the light source and this luminaire can also be used in marine environments.



#### Specifications of 40W Explosion Proof Light:

ATEX Zone1&21 listed  
LED: Bridgelux3030,288pcs  
CCT: 5700K  
CRI: >70 IP66, IK08  
Lumen:120lm/per watt  
Beam angle 120 degree  
Housing: die-cast aluminum  
PC: 4mm thickness  
PCB:aluminum thickness 2mm  
Driver: happsky series  
Color: Grey  
Warranty: 3 years  
0.6 UL certified cable  
II2G Ex eb mb IIC T5 Gb  
II2D Ex tb IIIC  
T75°C Db  
surface mounting, 2\*M25 cable entry, two ATEX glands  
Length: 1.2m (4 feet)



The highest quality Roll-down  
and Energy Saving products

## Geric Holdings LED lighting

### Specifications of 60W Explosion Proof Light:

ATEX Zone1&21 listed  
LED: Bridgelux3030,288pcs  
CCT: 5700K  
CRI: >70 IP66, IK08  
Lumen:120lm/per watt  
Beam angle 120 degree  
Housing: die-cast aluminum  
PC: 4mm thickness  
PCB:aluminum thickness 2mm  
Driver: happsky series  
Color: Grey  
Warranty: 3 years  
0.6 UL certified cable  
II2G Ex eb mb IIC T5 Gb  
II2D Ex tb IIIC  
T75°C Db  
surface mounting, 2\*M25 cable entry, two ATEX glands  
Length: 1.2m (4 feet)

### Specifications of 80W Explosion Proof Light:

ATEX Zone1&21 listed  
LED: Bridgelux3030,288pcs  
CCT: 5700K  
CRI: >70 IP66, IK08  
Lumen:120lm/per watt  
Beam angle 120 degree  
Housing: die-cast aluminum  
PC: 4mm thickness  
PCB:aluminum thickness 2mm  
Driver: happsky series  
Color: Grey  
Warranty: 3 years  
0.6 UL certified cable  
II2G Ex eb mb IIC T5 Gb  
II2D Ex tb IIIC  
T75°C Db  
surface mounting, 2\*M25 cable entry, two ATEX glands  
Length: 1.2m (4 feet)

### Specifications of 100W Explosion Proof Light:

ATEX Zone1&21 listed  
LED: Bridgelux3030,288pcs  
CCT: 5700K  
CRI: >70 IP66, IK08  
Lumen:120lm/per watt  
Beam angle 120 degree  
Housing: die-cast aluminum  
PC: 4mm thickness  
PCB:aluminum thickness 2mm  
Driver: happsky series  
Color: Grey  
Warranty: 3 years  
0.6 UL certified cable  
II2G Ex eb mb IIC T5 Gb  
II2D Ex tb IIIC  
T75°C Db  
surface mounting, 2\*M25 cable entry, two ATEX glands  
Length: 1.2m (4 feet)

### Certification

#### ATEX:

- Ex II 2G Ex eb mb IIC T5 Gb;
- Ex II 2D Ex tb IIIC T75 °C Db;
- IP66;

#### IECEX:

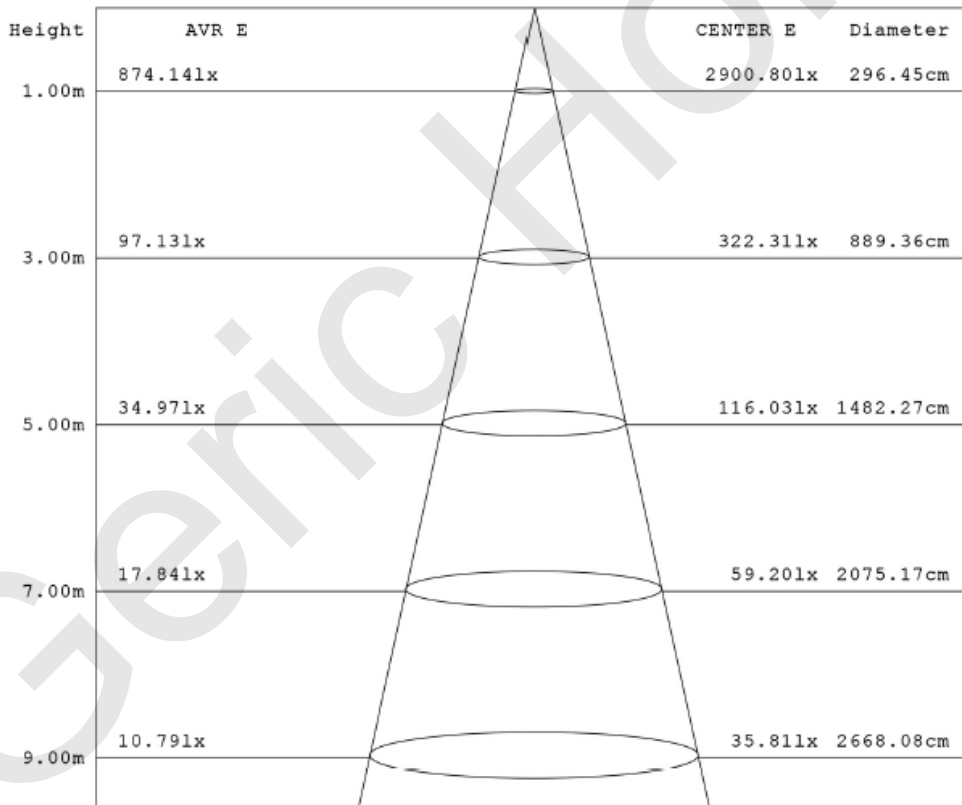
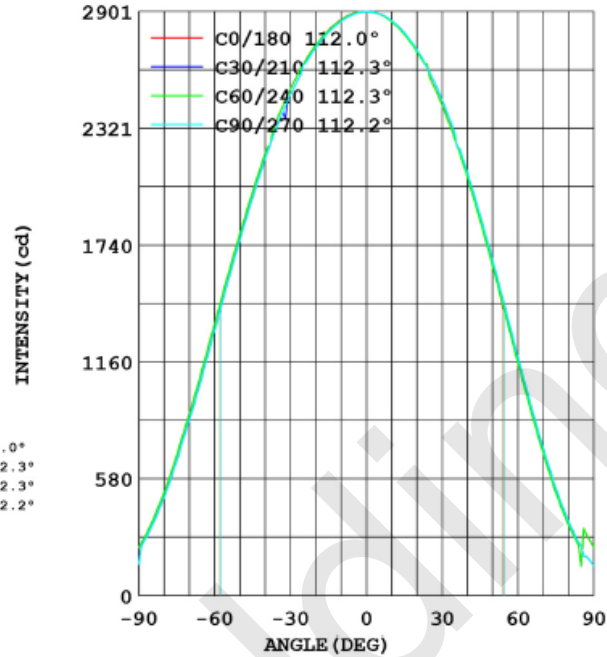
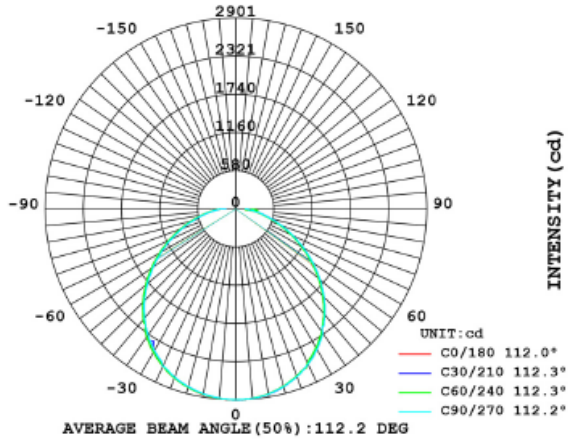
- Ex eb mb IIC T5 Gb;
- Ex tb IIIC T75°C Db;
- IP66;



(Please see the  
specification of UL  
HazLoc version)



LightingDistribution



Angle:112.0deg

## Product display

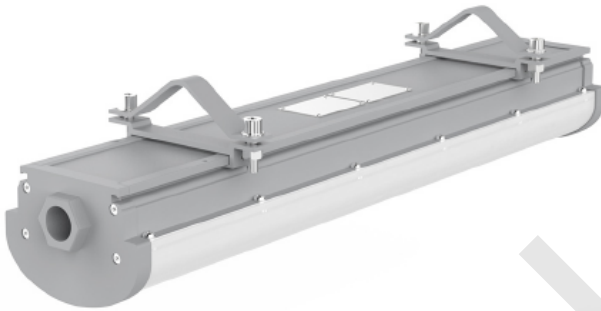
## Geric Holdings LED lighting



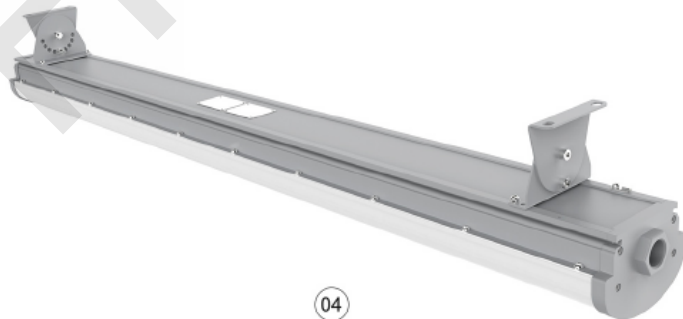
01



02



03



04



05



## IECEx Certificate of Conformity

### INTERNATIONAL ELECTROTECHNICAL COMMISSION IEC Certification System for Explosive Atmospheres

for rules and details of the IECEx Scheme visit [www.iecex.com](http://www.iecex.com)

Certificate No.: **IECEx SEV 21.0** [REDACTED] Page 1 of 4 [Certificate history:](#)  
Issue 0 (2021-12-03)

Status: **Current** Issue No: 1

Date of Issue: 2021-12-24

Applicant: [REDACTED]

Equipment: **LED luminaries,** [REDACTED]

Optional accessory:

Type of Protection: **e, m, t**

Marking: Ex eb mb IIC T5 Gb  
Ex tb IIIC T75 °C Db

Approved for issue on behalf of the IECEx  
Certification Body:

**Martin Plüss**

Position:

**Manager Product Certification**

Signature:  
(for printed version)

Date:

1. This certificate and schedule may only be reproduced in full.
2. This certificate is not transferable and remains the property of the issuing body.
3. The Status and authenticity of this certificate may be verified by visiting [www.iecex.com](http://www.iecex.com) or use of this QR Code.

Certificate issued by:

**Eurofins Electric & Electronic Product Testing AG**  
Luppenstrasse 3  
8320 FEHRALTORF .  
Switzerland





## IECEX Certificate of Conformity

Certificate No.: **IECEX SEV 21.0** [REDACTED]

Page 2 of 4

Date of issue: 2021-12-24

Issue No: 1

Manufacturer:



Additional  
manufacturing  
locations:

This certificate is issued as verification that a sample(s), representative of production, was assessed and tested and found to comply with the IEC Standard list below and that the manufacturer's quality system, relating to the Ex products covered by this certificate, was assessed and found to comply with the IECEX Quality system requirements. This certificate is granted subject to the conditions as set out in IECEX Scheme Rules, IECEX 02 and Operational Documents as amended

### STANDARDS :

The equipment and any acceptable variations to it specified in the schedule of this certificate and the identified documents, was found to comply with the following standards

[IEC 60079-0:2017](#) Explosive atmospheres - Part 0: Equipment - General requirements  
Edition:7.0

[IEC 60079-18:2017](#) Explosive atmospheres - Part 18: Protection by encapsulation "m"  
Edition:4.1

[IEC 60079-31:2013](#) Explosive atmospheres - Part 31: Equipment dust ignition protection by enclosure "t"  
Edition:2

[IEC 60079-7:2017](#) Explosive atmospheres - Part 7: Equipment protection by increased safety "e"  
Edition:5.1

This Certificate **does not** indicate compliance with safety and performance requirements other than those expressly included in the Standards listed above.

### TEST & ASSESSMENT REPORTS:

A sample(s) of the equipment listed has successfully met the examination and test requirements as recorded in:

Test Report:

[CH/SEV/ExTR21](#) [REDACTED]

Quality Assessment Report:

[NO/DNV/QAR2](#) [REDACTED]



## IECEX Certificate of Conformity

Certificate No.: IECEx SEV 21.0 [REDACTED]

Page 3 of 4

Date of issue: 2021 [REDACTED]

Issue No: 1

### EQUIPMENT:

Equipment and systems covered by this Certificate are as follows:

LED luminaires, [REDACTED]

The [REDACTED] series LED luminaires are composed of main part and two side covers. One thread entry is located on one side cover and it shall be equipped with Ex eb cable glands meeting at least IP66. The LED luminaires have "eb" chamber equipped with "mb" lighting chamber and "mb" LED power driver. The LED PWB encapsulated with sealing compound is installed in lighting chamber while the encapsulated power driver and terminal block are incorporated in power driver chamber. PC transparent hood is fixed on the top of the main part. Internal earthing and external bonding are both provided.

The degree of protection of the enclosure is IP66, according to IEC/EN 60079-0 and IEC/EN 60529.

Rating: AC 100 - 277 V, 50/60 Hz, 20 W / 30 W / 40 W / 50 W / 60 W / 70 W / 80 W / 100 W

Classification of installation and use: stationary

Ingress protection: IP66

Rated ambient temperature range (°C): -40 °C to +50 °C

Rated ambient temperature range (°C) for Ex Components: N/A

### SPECIFIC CONDITIONS OF USE: YES as shown below:

For installation use only suitably certified Ex eb IIC Gb cable glands.

The enclosure made by non-metallic material is considered to have electrostatic hazard and shall not be rubbed or cleaned with dry cloth in hazardous area.

### Warnings:

WARNING – DO NOT OPEN WHEN AN EXPLOSIVE ATMOSPHERE IS PRESENT

WARNING – POTENTIAL ELECTROSTATIC CHARGING HAZARD – SEE INSTRUCTION

WARNING – DO NOT OPEN WHEN ENERGIZED





## IECEX Certificate of Conformity

Certificate No.: **IECEX SEV 21.0** [REDACTED]

Page 4 of 4

Date of issue: 202 [REDACTED]

Issue No: 1

**DETAILS OF CERTIFICATE CHANGES (for issues 1 and above)**  
Insert of ratings

Geric Holdings



(1) **EU-Type Examination Certificate**

(2) Equipment or protective system intended for use in potentially explosive atmospheres - **Directive 2014/34/EU**

(3) Certificate number: **SEV 2 [REDACTED] X**

(4) Product: LED luminaries [REDACTED] series

(5) Manufacturer: [REDACTED]

(6) Address: [REDACTED]

(7) The equipment and any acceptable variation thereto is specified in the schedule to this certificate and the documents therein referred to.

(8) Eurofins, notified body No. 1258, in accordance with article 17 of Directive 2014/34/EU of the European parliament and of the council, dated 26 February 2014, certifies that this product has been found to comply with the essential health and safety requirements relating to the design and construction of products intended for use in potentially explosive atmospheres given in Annex II to the Directive.

The examination and test results are recorded in confidential report no 2 [REDACTED] X01

(9) Compliance with the essential health and safety requirements has been assured by compliance with:

**EN IEC 60079-0:2018**  
**EN IEC 60079-7:2015/A1:2018**  
**EN 60079-18:2015+A1:2017**  
**EN 60079-31:2014**

Except in respect of those requirements listed at item 18 of the schedule.

(10) If the sign «X» is placed after the certificate number, it indicates that the product is subjected to special conditions for safe use specified in the schedule to this certificate. The sign "U" is placed after the certificate number. It indicates that this certificate must not be mistaken for a certificate intended for an equipment or protective system. This partial certification may be used as a basis for certification of an equipment or protective system.

(11) This EU type examination certificate relates only to design and construction of the specified product. Further requirements of this directive apply to the manufacturing process and supply of this product. These are not covered by this certificate.

(12) The marking of the product shall include the following:



**II 2G Ex eb mb IIC T5 Gb**  
**II 2D Ex tb IIIC T75 °C Db**

**Eurofins Electric & Electronic Product Testing AG**  
**Notified Body ATEX**

Martin Plüss  
Product Certification

